



Trak Mobile TV Stand

Multi Purpose Mobile TV Stand

The T13 height-adjustable cart is perfect for transporting most of the LED flat screen television available in the market. With a wide and durable base construction, the T13 provides you with the maximum stability and extended use. Great for offices, conference rooms, tradeshow, hotels, hospitals, airports, and lobbies.

Model : Trak T13

★ **Folding Base**

★ **Effortless Mobility**

★ **High Grade Aluminum**

Product Benefits

Folding Base

This product is compact and simple to travel with, easy to disassemble, base legs fold in and support tubes slide down. Heavy cast-metal base provides a very stable foundation

Highly Mobile

Effortless Mobility from Room to Room with the heavy-duty full-swivel caster locking wheels. This cart holds up to maximum load of 45 kg

Height Adjustable

Find a comfortable height whether for video conferencing or exhibitions by using the adjustable TV screen height function

Cable Management

The built-in cable management system routes cables neatly, enhancing your the office decor

High Grade Aluminum

Made of high grade aluminum with durable powder coat finish

Component Shelf

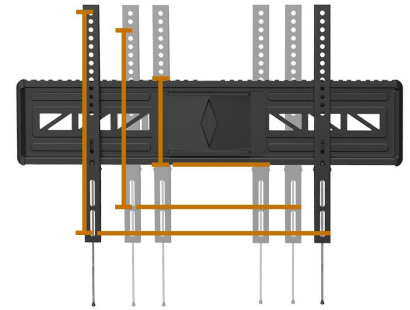
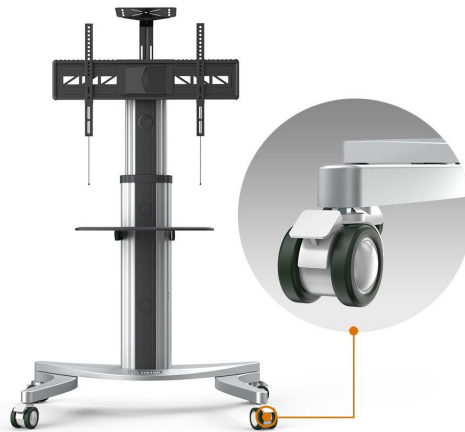
Height adjustable component shelf and removable shelf for camera

AV shelf is height adjustable and holds up to 11lbs



Swivel caster brake wheels

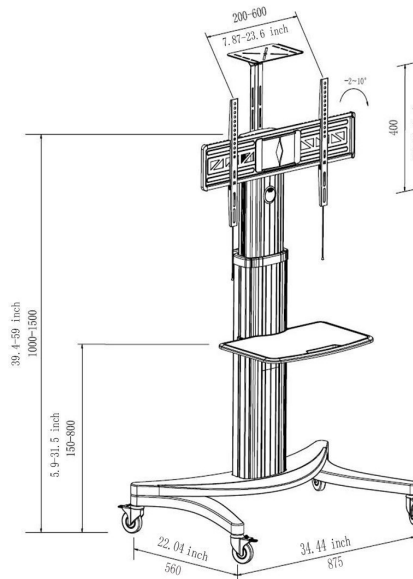
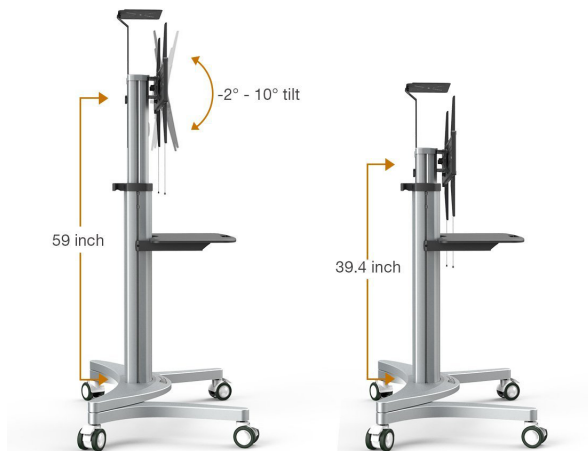
Carts come with swivel caster wheels with attached brakes, which easily maneuver in any direction.



Available VESA patterns
 200x100 200x200 300x200
 300x300 400x300 400x400 500x300
 500x400 600x300 600x400

Adjustable screen height & viewing angles

TV height is adjustable from 39.4" to 59".
 It allows for -2° to 10° screen tilt to maximize viewing angles.



Features:

- Four heavy-duty swivel caster locking wheels for easy gliding
- Compact and simple to travel with, easy to disassemble, base legs fold in and support tubes slide down
- Built-in cable management system routes cables neatly
- Made of high grade aluminum with durable powder coated finish
- Component shelf for holding A/V equipment
- Overhead camera shelf for web conferencing

Specifications:

- Fits most screens from 32" – 70"
- Supports up to 45 KG
- Adjust TV screen height from 884 to 1600 mm
- Aluminum Material
- VESA Compliant 600x400
- Shelf capacity: 5 kg, plastic shelf
- Color: Aluminum Silver

Package includes:

- 2 shelf (AV Shelf and Camera Shelf)