

STAND PORTRAIT

Secure Stand in Portrait Orientation For iPad 10.2-inch 7th Generation



WindFall Stand Portrait for iPad 10.2-inch secures your device for use as a gorgeous digital display or point-of-service. Steel mounting brackets secure your iPad without covering up any buttons, ports, or switches.

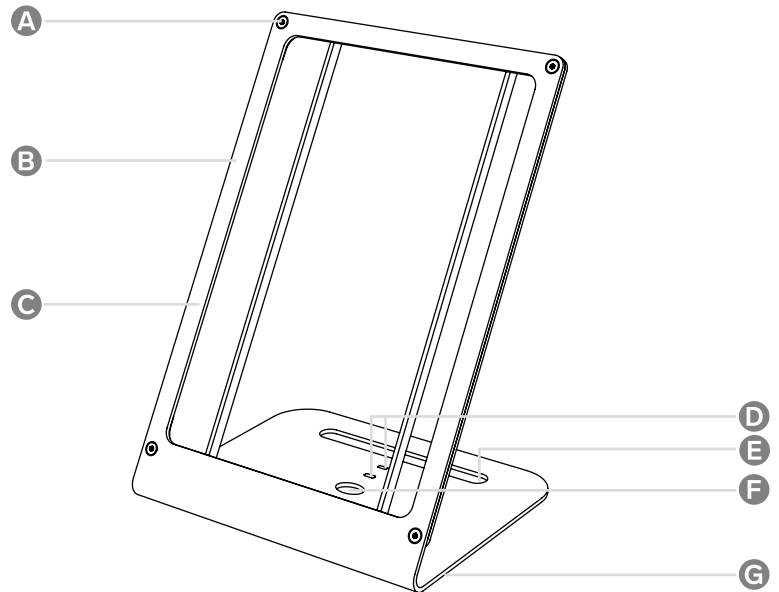
Stand Portrait

H607X

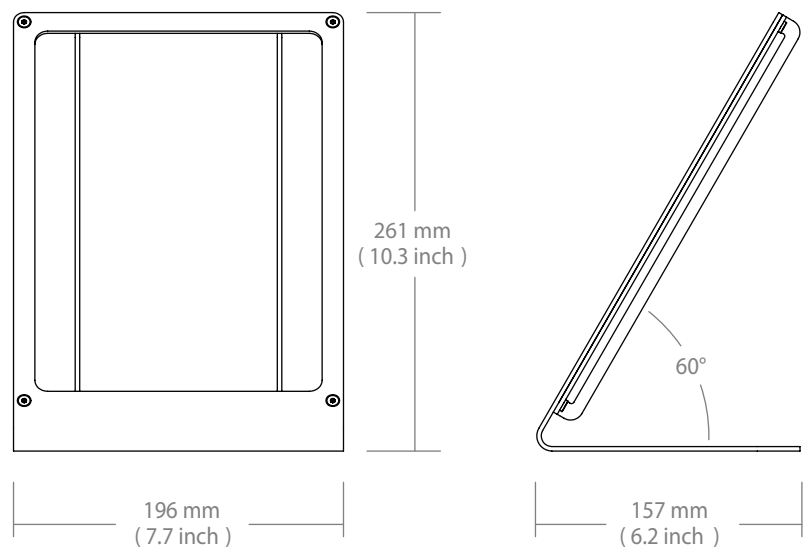
Secure Stand in Portrait Orientation For iPad 10.2-inch 7th Generation

Features

- A Tamper-resistant screws
- B Scratch & fingerprint-resistant powdercoat finish
- C Heavy steel construction
- D Kensington Security slots
- E Pivot & Slide slot
- F Pivot point
- G Friction & sliding feet included



Dimensions



Stand Portrait

H607X

Secure Stand in Portrait Orientation For iPad 10.2-inch 7th Generation

Specifications

| | |
|---------------|-------------|
| Height | 10.3 inches |
| Width | 7.7 inches |
| Depth | 6.2 inches |
| Weight | 2.5 lbs |
| Viewing Angle | 60 degrees |
| Warranty | 2 years |

Colors

| Name | SKU |
|------------|----------|
| Black Grey | H607X-BG |
| Grey White | H607X-GW |

Compatible Devices

iPad 10.2-inch 7th Generation

In the Box

WindFall Stand Portrait
Assembly tool
Four friction feet
Four sliding feet