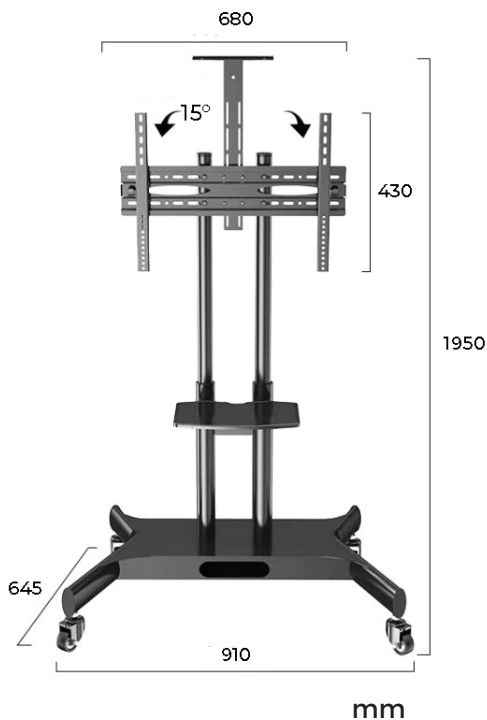


Trak Mobile TV Stand

Landscape or Portrait



Mobile TV Stand - Landscape or Portrait Orientations Rotating Stand
Screen Size: 49" - 65" - VESA: 200x200-600x400 mm - Free Swivel
Lockable Castors - Steel & Plastic - Max Load 45 kg - Black



Model: T3P

TV Size Range: 40" - 65"

Vesa Support: 200x200 - 600x400mm

Maximum Load Capacity: 45kg

Adjustable Display Height: 1165-1600mm

Maximum Display Height: 1600mm

Castors: Full Swivel Locking Castors

Shelf Capacity: 2.2KG