

SIDE MOUNT

for iPad 10.2-inch 7th Generation



Secure Enclosure for iPad for Room Scheduling

Pretty, simple tablet mounting. Easily mount an iPad outside your conference rooms and meeting rooms to create beautiful scheduling displays. The mount installs to the side of your mullions, features a large, hidden pocket to hide PoE power adapters, networking adapters, and external power banks (all sold separately)—all while maintaining a slim profile. Heckler Side Mount features our incredibly rigid, commercial-grade construction, simple installation, hidden assembly screws, fingerprint-resistant, and scratch-resistant powder coat finish.

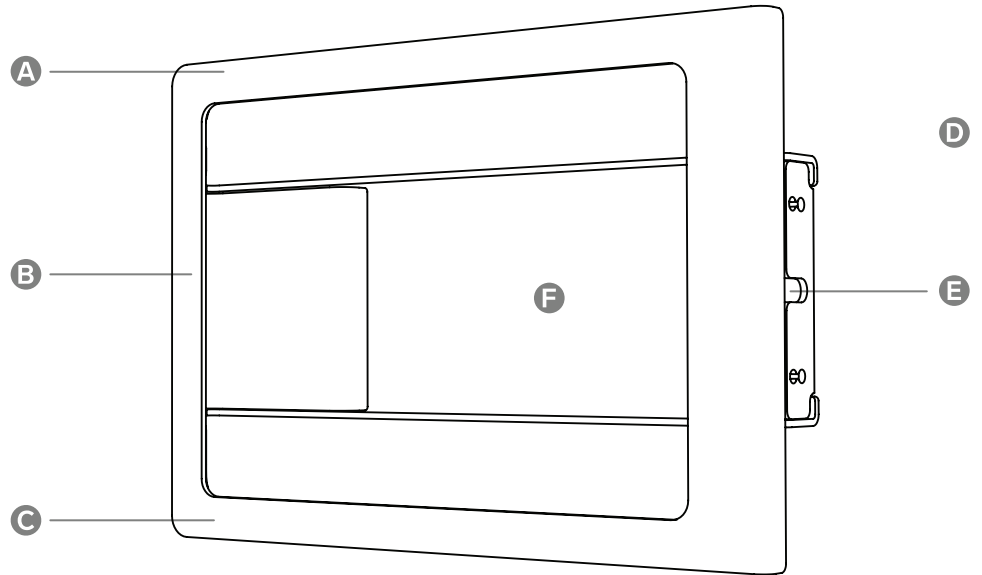
SIDE MOUNT

H604

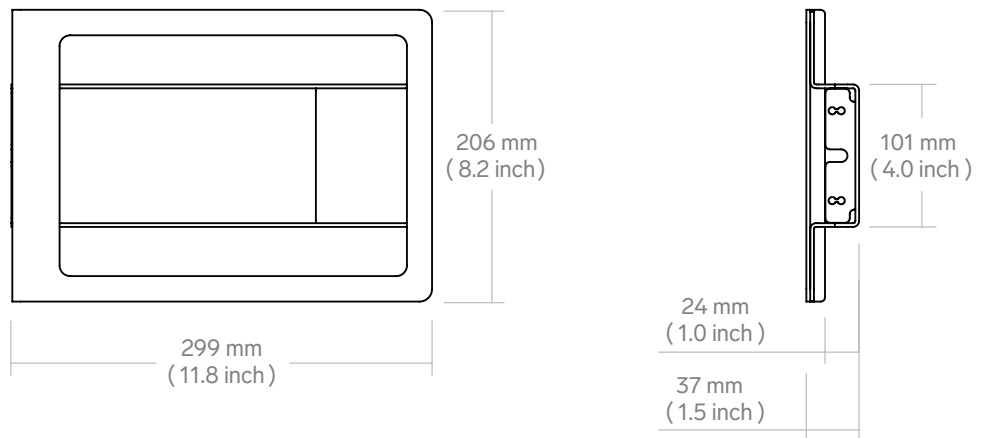
for iPad 10.2-inch 7th Generation

Features

- A Hidden assembly screws
- B Scratch & fingerprint-resistant powdercoat finish
- C Heavy steel construction
- D Symmetric design for mounting left & right of the door
- E Ethernet & power cable slot
- F Spacious pocket for wired networking/power adapters and power banks



Dimensions

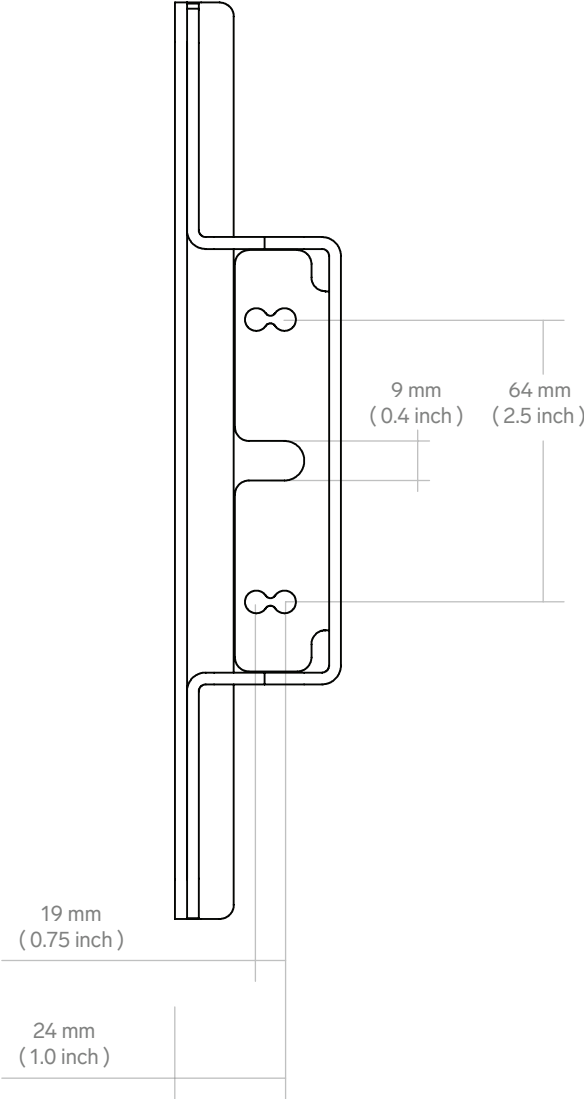


SIDE MOUNT

H604

for iPad 10.2-inch 7th Generation

Mounting Hole Pattern



SIDE MOUNT

H604

for iPad 10.2-inch 7th Generation

Specifications

SKU	H604
Height	8.2 inches
Width	11.8 inches
Depth	1.5 inches
Weight	3 lbs
Warranty	2 years

Colors

Name	SKU
Black Grey	H604-BG
Grey White	H604-GW

Compatible Devices

iPad 10.2-inch 7th Generation

In the Box

Side Mount for iPad 10.2-inch
Self-tapping screws for mullion installation
Assembly tool

Accessories

T283 - PoE Splitter with Lightning Cable
T267 - Redpark Gigabit + PoE Adapter for iPad