

# MacBook Stand

H621

by Heckler



With beauty and strength the Heckler MacBook Stand positions your screen at an ergonomic height. Our laptop stand is unlike all others as it is designed look great and to create a rock-solid platform for your MacBook - no more wiggles and wobbles during typing and trackpad gesturing.

Patented Design

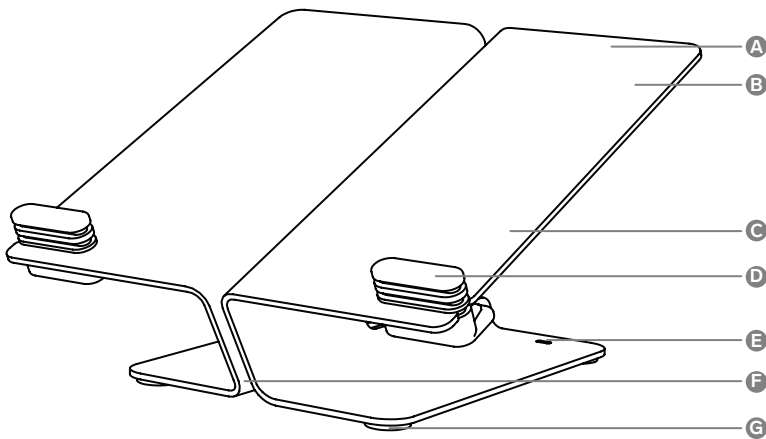
HecklerDesign.com |  Heckler

# MacBook Stand

H621

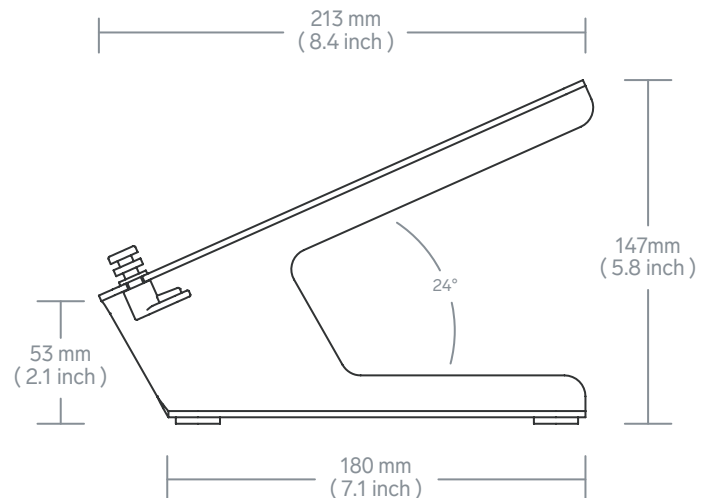
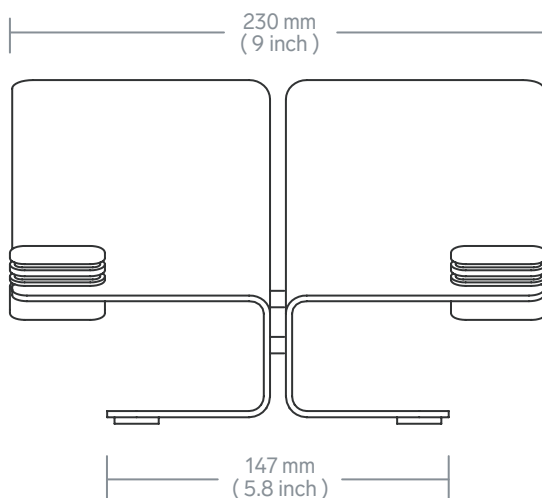
by Heckler

## Features



- A Rigid steel construction
- B No keyboard wobble
- C Fine-texture powdercoat finish resists scratches and fingerprints
- D Adjustable resting pegs
- E Kensington security slots enable stand deployment in public spaces
- F Cable pass-through for external keyboard and mouse
- G Sliding felt feet on the base for easy desktop repositioning
- Compatible with all MacBooks and most notebooks
- Ergonomic screen height
- Creates an eye-line camera height for video meetings
- Use with Heckler iPad Desk Stand to create a dual display workstation
- Designed and built for both commercial and home use
- Designed & Made in USA

## Dimensions



# MacBook Stand

H621

by Heckler

---

## Specifications

<b>SKU</b>	H621
<b>Height</b>	5.8 inches
<b>Width</b>	9 inches
<b>Depth</b>	8.4 inches
<b>Weight</b>	4.3 lbs
<b>Viewing Angle</b>	24 degrees
<b>Warranty</b>	2 years

---

## Colors

<b>Name</b>	<b>SKU</b>
Black Grey	H621-BG

---

## Compatible Devices

MacBook  
MacBook Air  
MacBook Pro  
Most notebooks

---

## In the Box

Heckler MacBook Stand

---

## Accessories

F560 - ClickSafe® 2.0 Cable Lock  
F714 - NanoSaver™ Keyed Cable Lock