

Back To School

Tripod Mount
for Logitech Rally Bar Mini
H716



With Tripod Mount for Logitech Rally Bar Mini you can create distance learning at the lecturer's eye-line without blocking the view of students in the classroom. By using a tripod rather than a rolling cart, the Rally Bar Mini and tripod can be deployed in seconds.
* Tripod not included.

Features

Tailored, steel base.

Scratch & fingerprint-resistant powdercoat finish.

Tailored shape firmly holds Logitech Rally Bar Mini.

Effortless installation and rapidly-deployed.

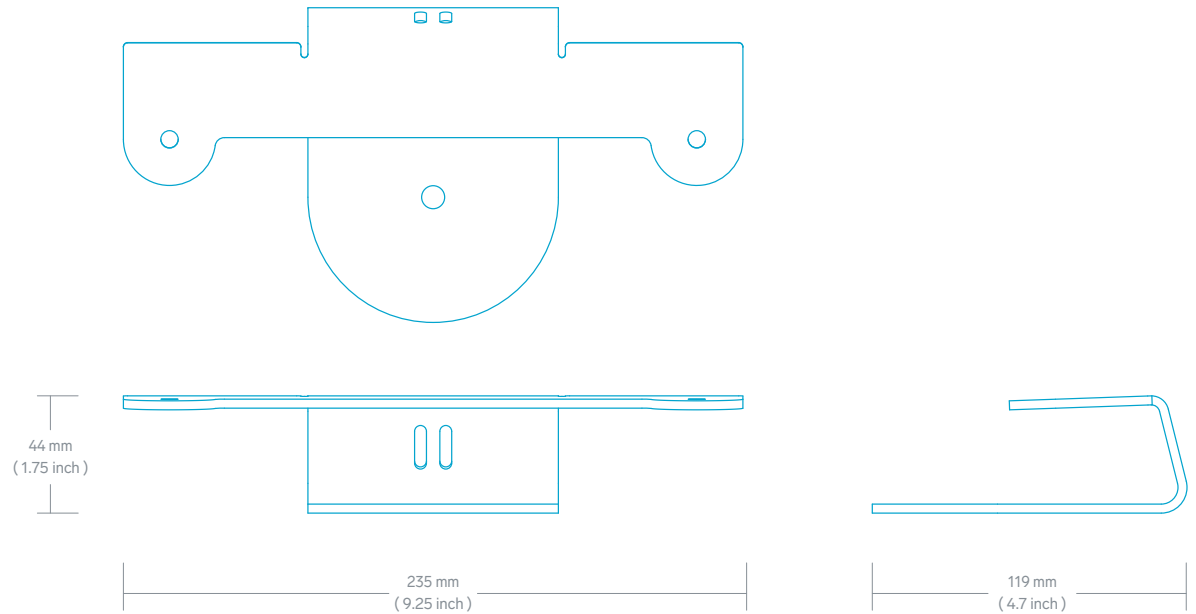
Integrated cable strain-relief. Cable strap included.





Specifications

SKU	H716
Color	Black Grey (BG)
Warranty	Two years
Product Dimension	9.25 x 4.7 x 1.75 inches (235 x 119 x 44 mm)
Shipping Dimension	10 x 5 x 3 inches (254 x 127 x 76 mm)
Product Weight	1.4 lbs (0.63kg)
Shipping Weight	2 lbs (0.9 kg)
Material	Powdercoated Steel
Compatibility	Logitech Rally Bar Mini
Country of Origin	US
In the Box	Tripod Mount for Logitech Rally Bar Mini Mounting Hardware Cable Strap



For more information, contact
Heckler or your favorite Heckler
Authorized Dealer.

hecklerdesign.com
sales@hecklerdesign.com
(844) 432-5930